



RAFFINE

## Celine Coffee Tables

Discover the Celine Coffee Nest of Tables, a perfect blend of elegance and functionality. The set features a bronze powder-coated finish, providing a sophisticated touch, complemented by the timeless beauty of Natural Vitoria Marble tops. Elevate your living space with this stylish and versatile addition, where modern design meets classic materials for a chic ensemble, highlighted by the enduring allure of Natural Vitoria Marble's unique veining and natural elegance.



### Specifications

**Dimensions:**

Table 1: D1000 x H400 mm

Table 2: D800 x H340 mm

**Shipping Dimensions:**

Carton 1: W1030 x L1030 x H430 mm

Carton 2: W1050 x L1050 x H600 mm

Carton 3: W850 x L850 x H600 mm

**Shipping Weight:**

80 kg

**Base:**

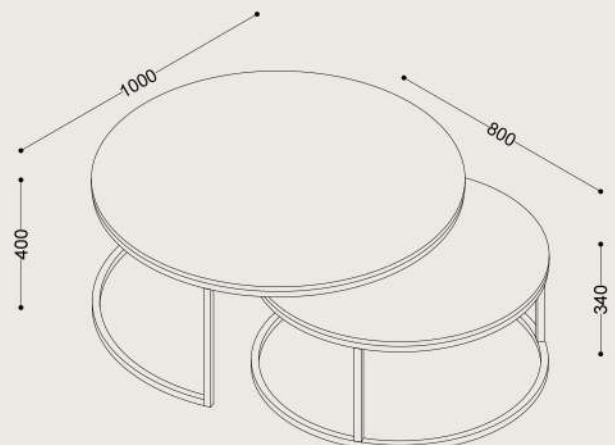
Metal

**Base Finish:**

Brass

**Top:**

Marble



For access to 3D models please contact us