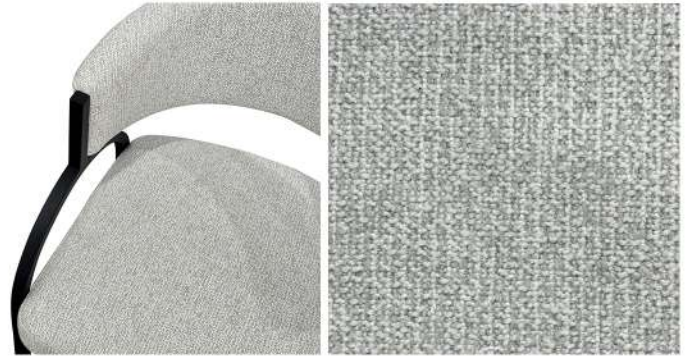




RAFFINE

Opal Barstool

Introducing the Opal Barstool, where modern meets timeless sophistication. With its sleek black-coated arched iron frame and curved back, upholstered in chic black and white tweed, this barstool is the epitome of style and comfort. Perfect for any space, from kitchens to bars, the Opal Barstool adds a touch of elegance and durability wherever it's placed. Elevate your seating experience with the Opal Barstool today.



Specifications

Dimensions:
W500 x D530 x H960 mm

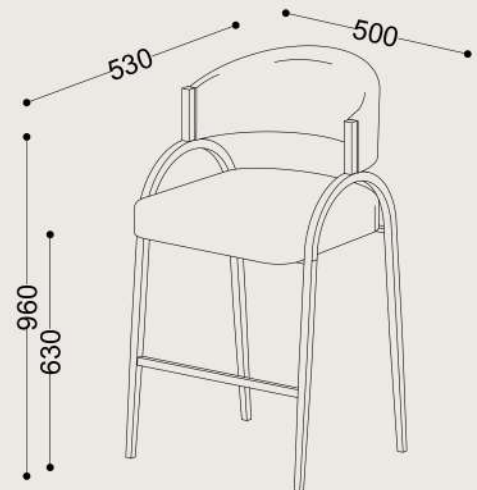
Base:
Metal

Shipping Dimensions:
W530 x L560 x H990 mm

Base Finish:
Black

Shipping Weight:
13.8 kg

Seat and Back:
Upholstery



For access to 3D models please contact us