



RAFFINE

Claude Dining Chair

Introducing the Claude Dining Chair, featuring an exquisite soft brass frame for a touch of elegance. Designed with an exceptionally comfortable rounded back, this chair offers a plush seating experience. Its distinctive back leg feature ensures it catches the eye from every angle, making it a standout piece in any setting.



Specifications

Dimensions:

W645 x D553 x H730mm

Shipping Dimensions:

W670 x L570 x H770 mm

Shipping Weight:

12 kg

Frame:

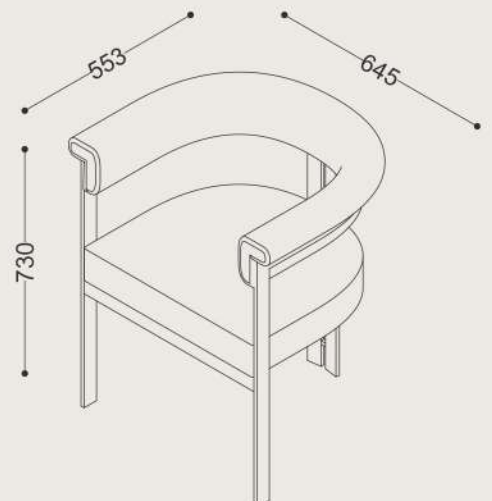
Metal

Frame Finish:

Brushed Brass

Seat and Back:

Upholstery



For access to 3D models please contact us