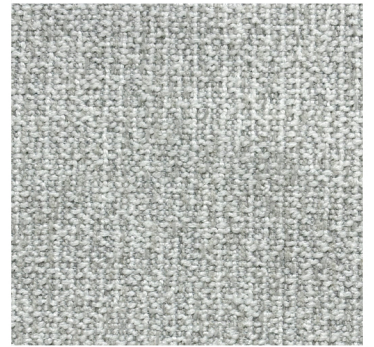




RAFFINE

Opal Dining Chair

Introducing the Opal Dining Chair, where modern meets timeless sophistication. With its sleek black-coated arched iron frame and curved back, upholstered in chic black and white tweed, this chair is the epitome of style and comfort. Perfect for any space, from kitchens to bars, the Opal Chair adds a touch of elegance and durability wherever it's placed. Elevate your seating experience with the Opal Chair.



Specifications

Dimensions:
W535 x D535 x H790 mm

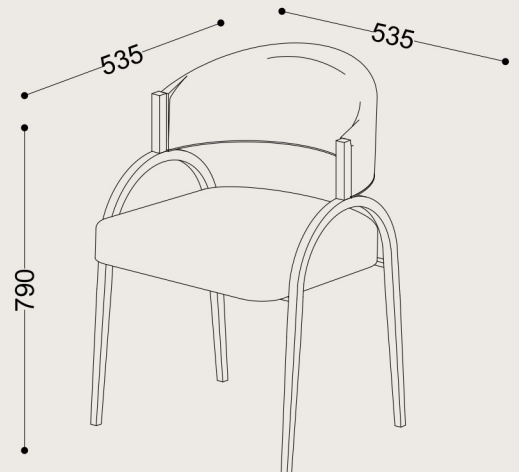
Base:
Metal

Shipping Dimensions:
W570 x L580 x H820 mm

Base Finish:
Black

Shipping Weight:
22.5kg

Seat and Back:
Upholstery



For access to 3D models please contact us