



RAFFINE

Munich Dining Chair

Introducing the Munich Chair: where elegance meets comfort. Its plush curved back, upholstered in luxurious beige velvet, offers a cozy retreat. Accentuating its sleek silhouette, a brass trim runs down the back, adding a touch of sophistication. Perfect for any space, the Munich Chair is your invitation to stylish relaxation.



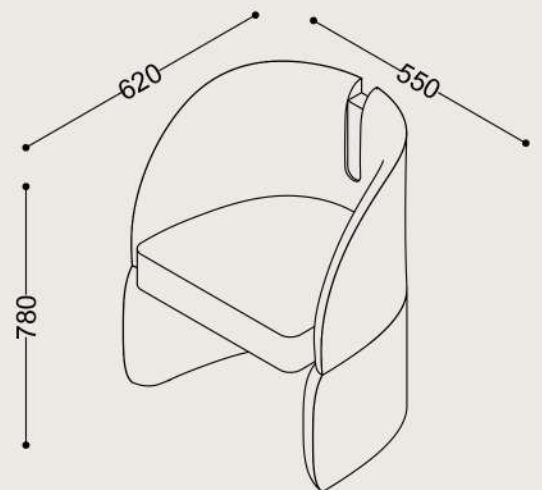
Specifications

Dimensions:
W550 x D620 x H780 mm

Shipping Dimensions:
W650 x L580 x H810 mm

Shipping Weight:
15.5kg

Seat and Back:
Upholstery



For access to 3D models please contact us